

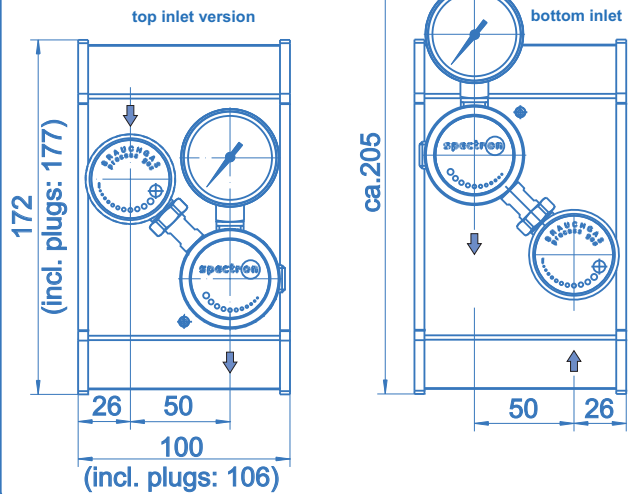
Tapping points EM55

spectro lab



Tapping point EM55-4

Dimensions EM55-1



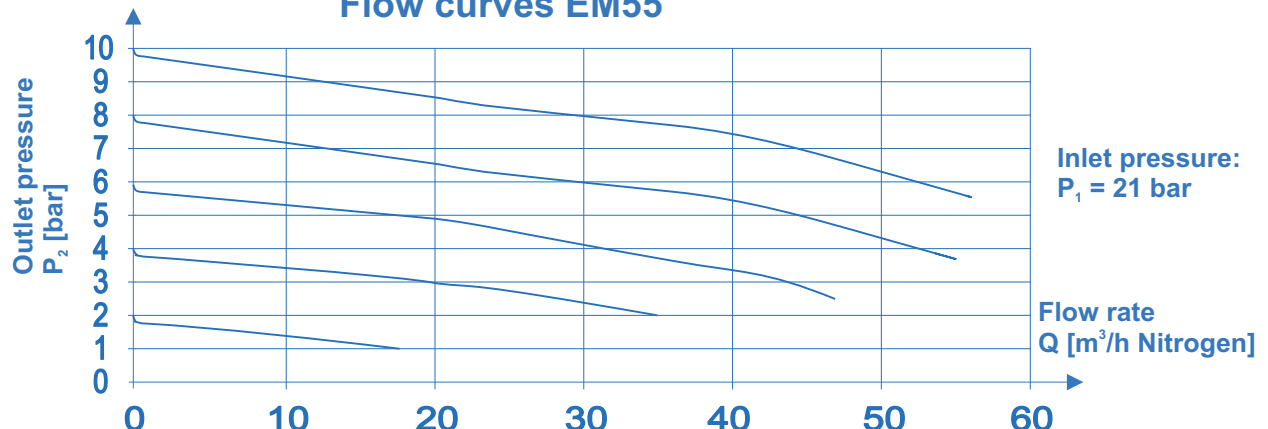
Product features

- Wall-mounting tapping points
- For non-corrosive gases up to quality 6.0
- Laboratory-style design
- Ergonomically designed
- Filter at the process gas inlet valve
- Diaphragm-type shut-off valves optimised for low internal volume with On/Off position indicator
- Suitable for ECD-applications
- Regulator with high control accuracy
- Designed for easy installation
- Approved for use with oxygen
- Tapping point can be extended into multiple tapping points
- Top-inlet or bottom-inlet configurations available

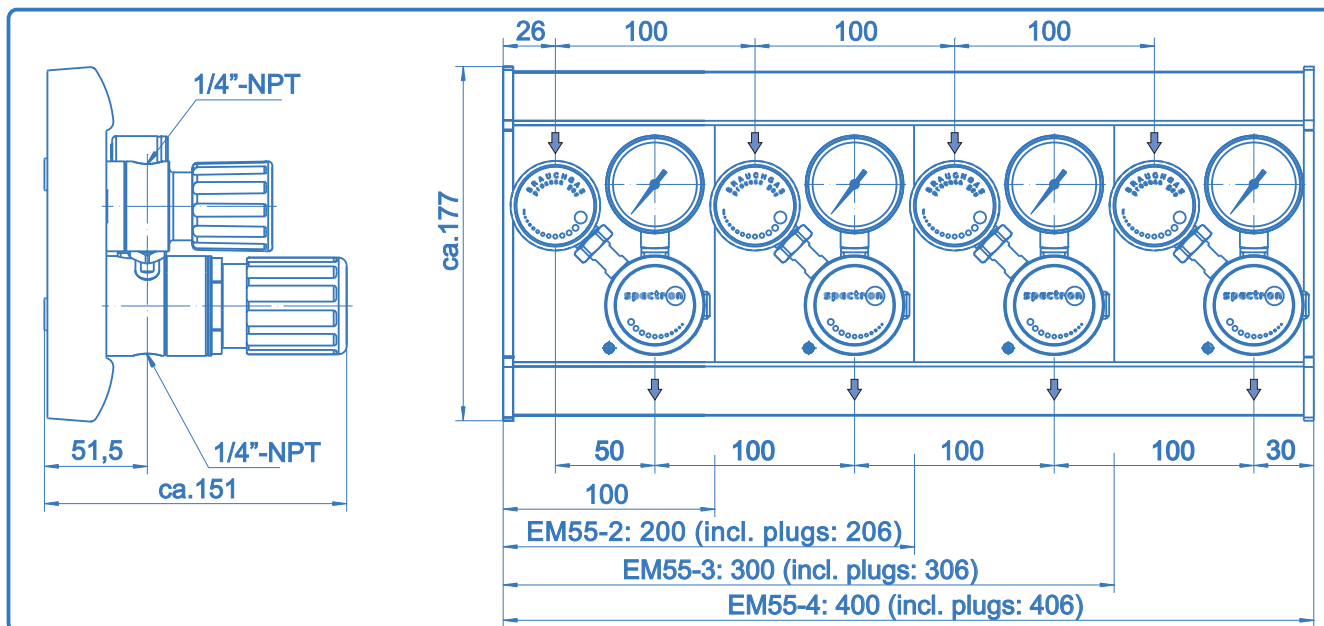
Technical data

Inlet pressure P_1	max. 200 bar
Outlet pressure P_2	1,5 / 4 / 10 / 20 / 50 bar
Materials	
Body regulator and valves:	chrome-plated brass
Valve seat regulator:	Hytrel
Valve seat valves:	PVDF
Diaphragm regulator:	Hastelloy C276
Diaphragm valve:	Hastelloy C276
Soft goods:	FKM
Filter:	Sintered bronze B60
Connectors	1/4"-NPT female
Temperature range	-30°C to +60°C
Leak rate (to atmosphere)	1×10^{-8} mbar l/s He
(via valve seat)	1×10^{-6} mbar l/s He
Pressure gauges	Safety pressure gauges ISO5171/K1.6/NG50
Weight	2,5 kg

Flow curves EM55



Tapping points EM55



Ordering information:
Tapping points EM55

EM55 - 1 - 40 - 10 - O

Please specify gas type with order

Type

- 1 - single tapping point
- 2 - double tapping point
- 3 - triple tapping point
- 4 - 4 tapping points

Inlet

- O - top inlet
- U - bottom inlet

Inlet pressure P₁

- 40 - 40 bar
- 100 - 100 bar
- 200 - 200 bar

Outlet pressure P₂

- 1,5 - 1,5 bar
- 4 - 4 bar
- 10 - 10 bar
- 20 - 20 bar
- 50 - 50 bar

Higher outlet pressure upon request

- Specifications**
- SPECTROLAB - components guarantee maximum quality by using high grade materials and a quality assurance program acc. to ISO 9001.
 - All components which come into contact with the medium are cleaned in an ultrasonic cleaning system (CFC-free) with the special cleaning process SPECTRO-CLEAN® and are then baked out.
 - SPECTROLAB - components undergo a 100% function- and Helium-leak-test.

- Pressure indication**
- All pressure regulators are equipped with pressure gauges for outlet pressure indication for the relevant pressure range.
- Important note regarding component selection**
- In order to assure safe operation it is essential to take the configuration of the whole system into account when selecting a tapping point.
 - The function of the components, the compatibility of the materials, correlating temperature ranges, correct installation, operation and maintenance in accordance with the relevant regulations are the responsibility of the system designer and the user.

